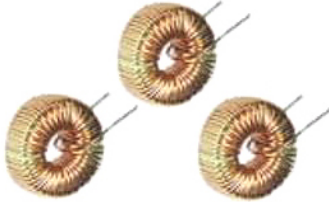


**Lead Type Toroid Inductor 環形線圈電感**

**TC Series**

Iron Powder Toroidal Choke Coils

鐵粉芯環型扼流線圈



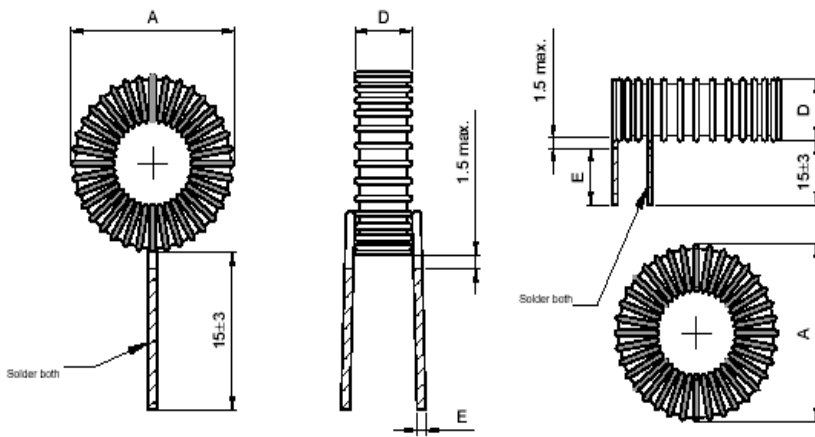
**Features**

- 1. Extremely cost effective design.
- 2. Useful for application requiring inductance to vary with Current load changes.
- 3. Self electromagnetic shielding.

**特徵**

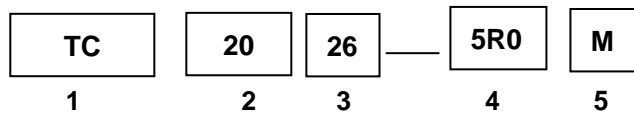
- 1. 低成本設計。
- 2. 適合感值需隨電流變化之應用。
- 3. 自我的磁遮蔽。

**Dimensions**



	Material
Core	Iron Powder Material Toroids
Wire	130 <sup>0</sup> C or 155 <sup>0</sup> C UEW-NY Wire

**Part Numbering**



- 1. Series
- 2. Dimension : Core Outer Diameter
- 3. Material Code
- 4. Inductance: 5R0=5.0uH
- 5. Inductance Tolerance: K=±10%,M=±20%

**TC Series**

Part Number	Inductance (uH) @1 KHz / 0A	Inductance (uH) @1 KHz / max.IDC	IDC (A) max	DC Resistance (Ω) max	Dimension (mm)	
					A	D
TC2026-5R0M	5.000	4.900	0.5	0.007	7.50	4.50
TC2026-9R0M	9.000	8.800	0.3	0.011	8.00	4.50
TC2026-150M	15.00	13.50	0.5	0.070	7.50	4.50
TC2026-200M	20.00	19.80	0.2	0.198	7.50	4.00
TC2026-270M	27.00	25.50	0.1	0.033	7.50	4.00
TC2026-320M	32.00	27.00	0.3	0.031	8.00	4.50
TC3026-100M	10.00	7.70	2	0.017	12.00	7.00
TC3026-120M	12.00	10.70	1	0.040	10.50	6.00
TC3026-320M	32.00	25.00	1	0.065	12.00	7.00
TC3026-370M	37.00	33.70	0.5	0.134	10.00	5.50
TC3026-141M	140.00	107.00	0.5	0.265	10.00	6.00
TC3726-8R2M	8.20	7.20	2	0.017	14.50	7.00
TC3726-220M	22.00	17.00	2	0.030	14.50	7.50
TC3726-240M	24.00	22.00	1	0.055	13.50	6.00
TC3726-560M	56.00	53.00	0.5	0.181	12.50	5.50
TC3726-680M	68.00	53.00	1	0.095	13.50	6.50
TC3726-241M	240.00	190.00	0.5	0.360	13.00	6.50
TC4426-150M	15.00	12.60	2	0.023	15.50	7.50
TC4426-430M	43.00	37.00	1	0.074	14.50	7.00
TC4426-680M	68.00	42.00	2	0.056	15.50	9.00
TC4426-111M	110.00	100.00	0.5	0.250	14.00	6.50
TC4426-141M	140.00	104.00	1	0.140	15.00	7.50
TC4426-361M	360.00	285.00	0.5	0.460	14.50	7.50
TC5026-200M	20.00	15.00	3	0.021	17.50	9.00
TC5026-300M	30.00	25.00	2	0.035	17.00	8.50
TC5026-600M	60.00	35.00	3	0.038	18.00	10.00
TC5026-680M	68.00	60.00	1	0.101	16.00	7.50
TC5026-101M	100.00	63.00	2	0.081	17.00	9.00
TC5026-221M	220.00	162.00	1	0.190	16.50	8.00
TC6026-220M	22.00	15.00	5	0.014	21.50	11.50
TC6026-290M	29.00	20.00	4	0.020	21.00	11.00
TC6026-350M	35.00	28.00	3	0.026	20.50	10.50
TC6026-580M	58.00	45.00	2	0.061	20.00	10.00
TC6026-900M	90.00	52.50	3	0.044	20.50	12.50
TC6026-111M	110.00	79.00	2	0.069	19.50	10.00
TC6026-131M	130.00	116.00	1	0.146	19.00	9.00
TC6026-471M	470.00	310.00	1	0.286	21.00	11.00
TC6026-250M	25.00	18.00	5	0.016	24.00	10.50
TC6826-320M	32.00	24.00	4	0.021	23.50	10.00
TC6826-430M	43.00	30.00	3	0.030	23.00	9.50
TC6826-650M	65.00	55.00	2	0.055	22.00	9.00
TC6826-111M	110.00	56.00	4	0.042	23.50	11.00
TC6826-131M	130.00	77.00	3	0.055	23.00	10.50
TC6826-151M	150.00	137.00	1	0.159	21.50	7.50
TC6826-231M	230.00	148.00	2	0.108	22.50	9.50
TC8026-500M	50.00	33.00	5	0.022	26.50	12.00
TC8026-600M	60.00	42.00	4	0.030	26.50	11.50

**TC Series**

Part Number	Inductance(uH) @1 KHz / 0A	Inductance(uH) @1 KHz / max.IDC	IDC (A) max	DC Resistance ( $\Omega$ ) max	Dimension (mm)	
					A	D
TC8026-750M	75.00	54.00	3	0.039	25.50	11.00
TC8026-820M	82.00	60.00	3	0.042	24.50	10.50
TC8026-101M	100.00	53.00	5	0.033	26.50	12.50
TC8026-151M	150.00	68.00	5	0.042	27.00	13.50
TC8026-221M	220.00	105.00	4	0.059	26.50	13.00
TC8026-271M	270.00	140.00	3	0.081	26.00	12.00
TC8026-321M	320.00	193.00	2	0.131	25.00	10.50
TC8026-431M	430.00	246.00	2	0.150	25.00	11.00
TC8026-961M	960.00	625.00	1	0.438	25.00	11.00
TC9026-900M	90.00	54.00	5	0.034	29.50	15.50
TC9026-141M	140.00	98.00	3	0.064	28.00	14.50
TC9026-201M	200.00	154.00	2	0.114	28.00	14.00
TC9026-321M	320.00	120.00	5	0.068	29.50	17.00
TC9026-451M	450.00	280.00	2	0.174	28.00	14.00
TC9026-471M	470.00	398.00	1	0.354	26.50	13.00
TC9026-501M	500.00	425.00 3		0.188	28.50	15.50
TC9026-182M	1800.00	1130.00	1	0.680	27.50	14.00
TC9426-820M	82.00	52.00	5	0.033	31.00	15.50
TC9426-101M	100.00	69.00	4	0.042	29.50	13.50
TC9426-131M	130.00	96.00	3	0.061	29.00	13.00
TC9426-221M	220.00	170.00	2	0.121	28.50	12.00
TC9426-301M	300.00	120.00	5	0.064	30.00	15.50
TC9426-391M	390.00	165.00	4	0.088	29.50	15.00
TC9426-471M	470.00	400.00	1	0.342	27.50	11.50
TC9426-501M	500.00	242.00	3	0.124	29.00	14.00
TC9426-781M	780.00	428.00	2	0.225	28.50	13.50
TC9426-132M	1300.00	933.00	1	0.585	28.50	12.50
TC10626-300M	30.00	21.00	10	0.009	36.00	19.50
TC10626-350M	35.00	25.00	10	0.040	36.00	19.50
TC10626-560M	56.00	41.50	7	0.020	34.00	18.00
TC10626-680M	68.00	46.00	7	0.021	34.00	18.00
TC10626-820M	82.00	53.00	7	0.023	34.00	18.00
TC10626-101M	100.00	75.00	5	0.036	33.50	17.00
TC10626-151M	150.00	110.00	4	0.053	32.50	16.50
TC10626-201M	200.00	157.00	3	0.078	32.00	16.00
TC10626-301M	300.00	250.00	2	0.142	31.50	15.50
TC10626-851M	850.00	567.00	2	0.211	32.50	16.50
TC13026-750M	750.00	43.00	10	0.014	42.00	19.50
TC13026-131M	130.00	79.00	7	0.031	41.00	18.00
TC13026-201M	200.00	134.00	5	0.056	39.00	17.00
TC13026-251M	250.00	105.00	10	0.027	42.50	21.50
TC13026-471M	470.00	190.00	7	0.064	40.50	19.50
TC13026-681M	680.00	295.00	5	0.105	39.00	18.50